



Contents

Preface	2
1 Product description	3
1.1 Intended Use.....	3
1.2 Technical specifications	4
1.3 Components.....	5
1.4 Explanation of symbols	6
1.5 Accessories.....	6
1.6 For your safety	7
2 Use	8
2.1 Handset with lock function	8
2.2 Operating the steering casters	9
2.3 Strain relief.....	10
2.4 Power cable	10
2.5 Emergency lowering of the headrest.....	11
2.6 Side railings (For Luna 2, Luna Basic 2)	11
2.7 Side railings (For Luna UL 2)	13
2.8 Lifting pole.....	14
2.9 Rastomat (when available).....	14
2.10 Transfer in and out the bed.....	14
2.11 Transport	15
2.12 Cable placement	16
2.13 Remarks on electromagnetic compatibility (EMC)	16
3 Installation and adjustment	18
3.1 Tools	18
3.2 Manner of delivery	18
3.3 Assembly.....	19
4 Maintenance	22



Preface

First of all we want to thank you for putting your trust in us by selecting one of our products.

The Vermeiren beds are the result of many years of research and experience. During the development, special attention was given to the ease of use and the serviceability of the bed.

The expected lifetime for your bed is strongly influenced by the care and maintenance of the bed.

This manual will help you get acquainted with the operation of your bed.

Following the user instructions and the maintenance instructions are an essential part of the warranty.

This manual reflects the latest product developments. Vermeiren has the right to introduce changes without the obligation to adapt or replace previously delivered models.

For any further questions, please consult your specialist dealer.



1 Product description

1.1 *Intended Use*

With the Luna 2 model, you have acquired a nursing bed that was developed entirely for your comfort. This nursing bed offers various individual adjustment possibilities which are explained below.

The nursing bed is designed for a single adult patient (from 12 years, up to 140 kg max).

The bed shall be used with a suitable mattress (min. RG 35, 120 mm thick, max. 20 kg)

The Luna 2 nursing bed is designed for dry indoors use on level, solid floors.

The different types of fittings and accessories, and the modular construction allow full use by persons disabled by:

- paralysis
- loss of limbs (leg amputation)
- limb defects or deformations
- stiff or damaged joints
- heart insufficiencies and poor blood circulation
- balance disturbances
- cachexia (decrease in muscle)
- and also for aged persons.

When providing for individual requirements:

- body size and weight (max. 140kg)
- physical and psychological condition
- residential circumstances
- environment

should be taken into consideration.

The bed shall be used as application environment 4: "care provided in a domestic area where ME equipment is used to alleviate or compensate for an injury, disability or disease".

Your bed should only be used on surfaces where all four wheels are touching the ground.

The bed should not be used as a ladder, nor is it a transport for heavy or hot objects.

When used on mats, carpeted floors or loose floor coverings, the floor covering can get damaged and it is difficult to push over such surfaces (without patient).

Use only Vermeiren approved accessories.

The manufacturer is not liable for damage caused by the lack of or improper service or as a result of not following instructions from this manual.

Compliance with the user and maintenance instructions are an essential part of the guarantee conditions.



1.2 Technical specifications

Technical terms below are valid for the bed in standard settings.
If other accessories are used, the tabulated values will change.

Make	Vermeiren		
Address	Vermeirenplein 1/15, B-2920 Kalmthout		
Type	bed		
Model	Luna 2, Luna Basic 2, Luna UL 2		
Maximum occupant mass	140 kg		
Description	Min.	Max.	
Length	Luna 2, Luna Basic 2: 2170 mm; Luna UL 2: 2180 mm		
Width	Luna 2: 1020 mm; Luna Basic 2: 1015 mm; Luna UL 2: 1025 mm		
Height (without lifting pole)	Luna 2, Luna Basic 2: 840 mm - 1250 mm Luna UL 2: 726 mm - 1136 mm		
Height (with lifting pole)	Luna 2, Luna Basic 2: 1675 mm - 2080 mm Luna UL 2: 1590 mm - 1995 mm		
Height adjustment of the bed surface (position 1)	Luna 2, Luna Basic 2: 335 mm (without mattress) Luna UL 2: 205 mm (without mattress)	Luna 2, Luna Basic 2: 745 mm (without mattress) Luna UL 2: 615 mm (without mattress)	
Height adjustment of the bed surface (position 2)	400 mm (without mattress) Not for Luna UL 2	810 mm (without mattress) Not for Luna UL 2	
Folded length	445 mm		
Folded width	935 mm		
Folded height	1045 mm		
Total mass	Luna 2: 98,15 kg; Luna Basic 2: 83,7 kg; Luna UL 2: 96,35 kg		
Adjustment of the back section	83°		
Max. thigh angle	31.7°		
Max. angle for lower leg	-14,8°		
Max. safe load	175 kg		
Lifting pole	Nominal load 80 kg		
Mattress	Min. RG 35, thickness 120 mm, 2000 x 900 mm, max. 20 kg		
Under clearance for patient lift	160 mm		
Steering casters (4 pieces)	Luna 2, Luna Basic 2: Ø 100 mm, can be locked Luna UL 2: Ø 75 mm, can be locked		
Front part of motor	LA273100-A01405040, Linak		
Back section motor	LA270022-00, Linak		
Leg section motor	LA270022-00, Linak		
Handset	HBW074-072, Linak		
Transformer	CB6404+10019, Linak		
Nominal voltage, transformer	U input: 230 V~, ± 10%, 50 Hz, current: max. 1.5 A, output voltage: 24V ---, max. 70 VA		
Period switched on	10%, max. 6 min/hour		
Noise level	< 65 dB(A)		
Class / Kind of protection	Protection class II, application part Type B / IP54 (spray protection)		
Storage and use temperature	+ 5 °C	+ 41 °C	
Storage and use humidity	30%	70%	

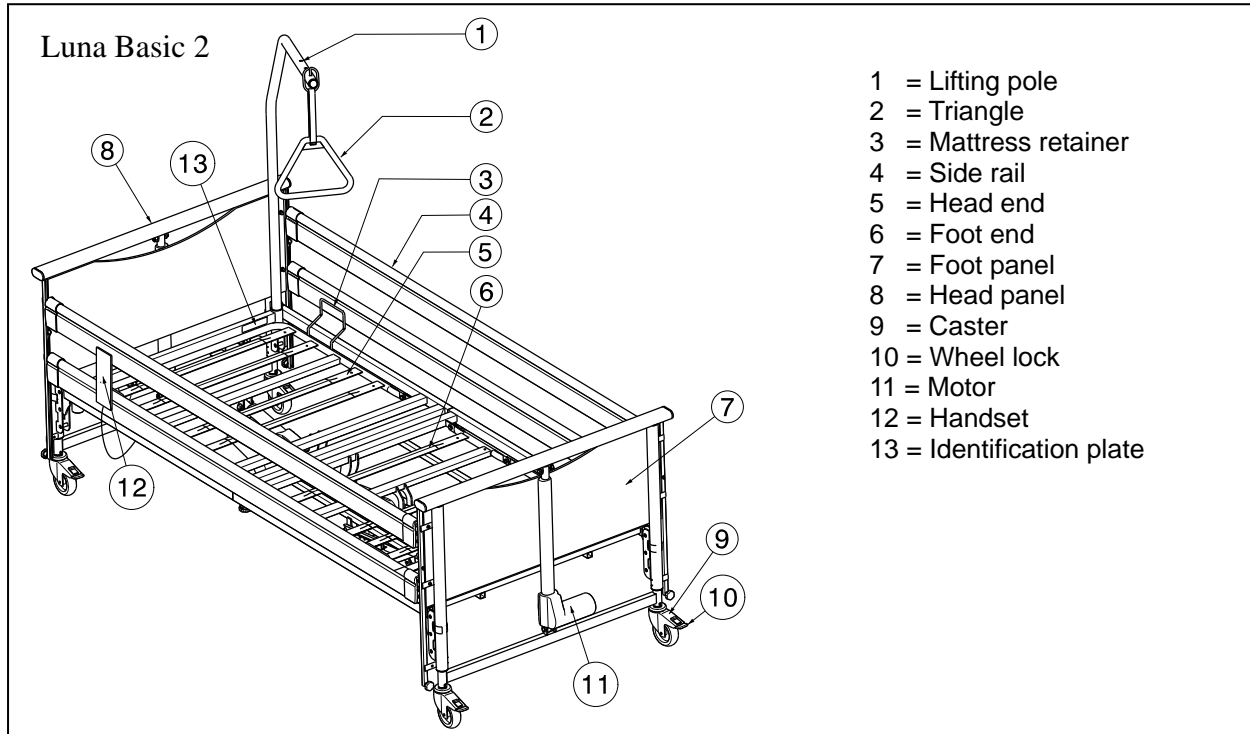
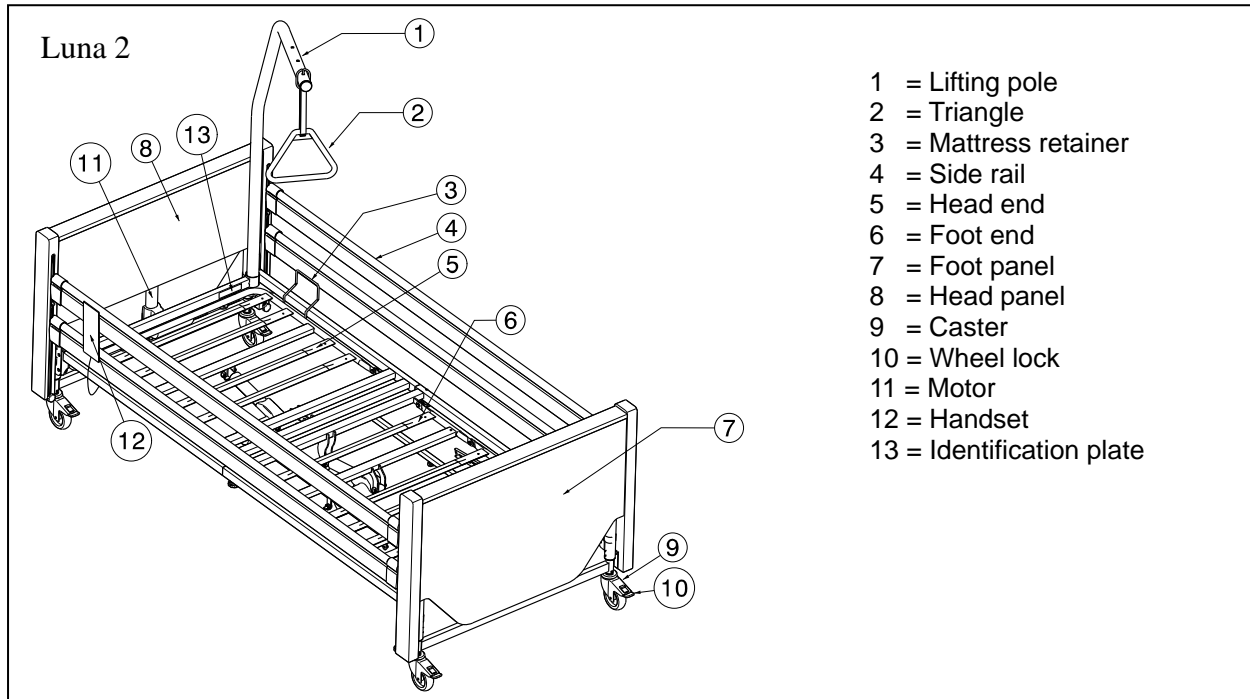
We reserve the right to introduce technical changes. Measurement tolerance ± 15 mm / 1,5 kg / °

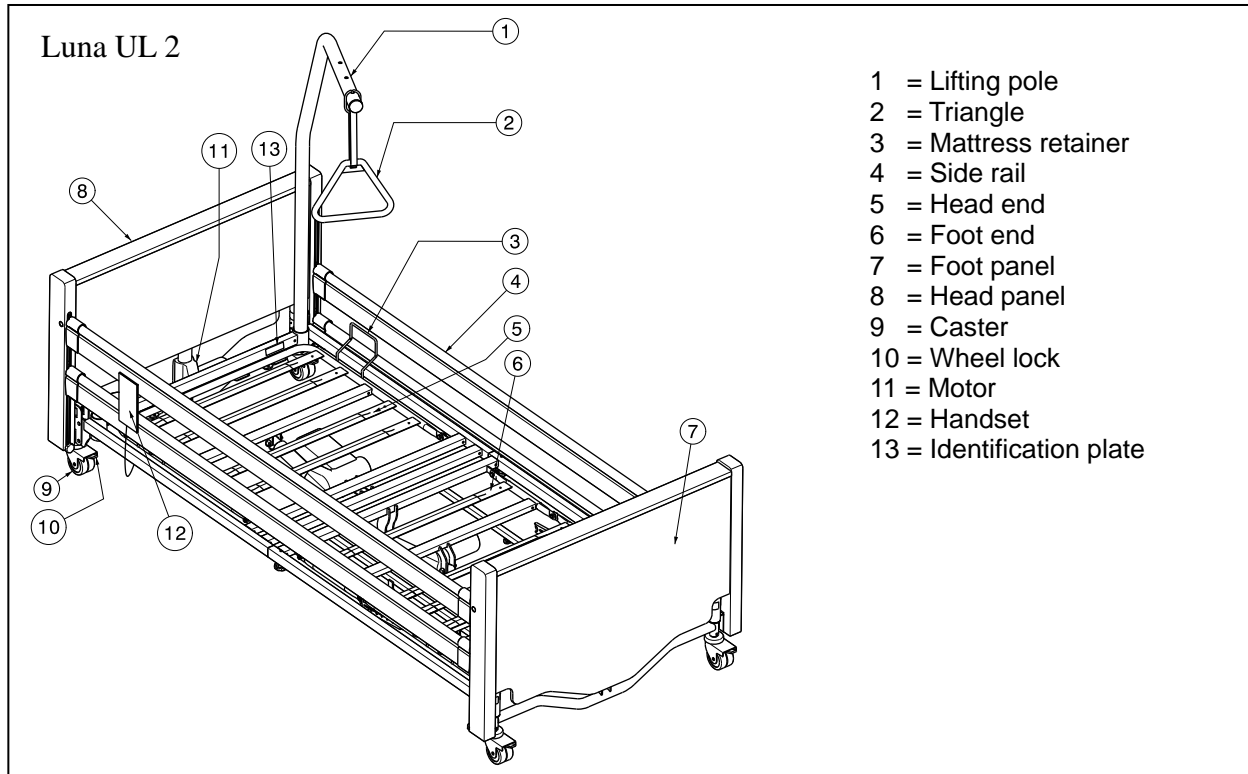
Table 1: Technical specifications

The bed complies to the requirements set up in:










EN 60601-2-52: Medical electrical equipment - Part 2-52: Particular requirements for the basic safety and essential performance of medical beds

1.3 Components





1.4 Explanation of symbols






























-  Maximum mass
-  CE conformity
-  Safety instructions
-  Observe the instructions for use
-  The correct procedure or method of use
-  Incorrect procedure or method of use
-  Protection class II
-  Type B application
-  Type designation







1.5 Accessories

 **WARNING:** Precautions shall be taken if accessories not listed below are used.

- Third bedside wood

1.6 For your safety



-  Carefully read the instruction manual before using the nursing bed.
-  Place and use your nursing bed only on straight and level surfaces and ensure that all four steering castors stand securely on the floor.
-  When the bed is placed in position, make sure that no obstacles are present inside the entire adjustment range.
-  If the patient is not supervised, the bed must be adjusted beforehand to the lowest position to reduce the danger of injury by falling when getting into, getting out of, or lying on the bed.
-  If the patient is not under supervision, the side railings on both sides should be raised to the highest position. The railings may only be lowered on one or both sides when a supervisor is present.
-  Watch your hands when assembling, disassembling or using the bed -- danger of squashing !
-  When transporting the bed, grasp it only by solid frame parts and wooden parts.
-  All four steering castors must always be locked before using the nursing bed.
-  Medical-electrical treatments are forbidden inside the nursing bed !
-  Do not lean against or on the side railings -- danger of accidents !
-  Avoid leaning out sideways with the upper body -- danger of accidents !
-  Do not rest your legs on other objects -- danger of accidents !
-  When adjusting hinges, joints or other clamps, make sure that no body parts or objects are present -- danger of squashing !
-  Do not place your hands between the frame and the mattress when adjusting leg or back rests -- danger of squashing !
-  Use only power sockets conforming to VDE (220 V / 230 V, 50 Hz) for plugging in.
-  Plugs must only be pulled out by grasping the plug itself; never pull on the cable.
-  Lock handset with locking function each time after use.
-  The nursing bed must only be used in dry rooms.
-  Only use mattresses which comply with the prescriptions of the bed manufacturer.
-  If the lifting pole is distorted, it should be replaced.
-  The side railings must be fitted even if the relevant side is situated against the wall.
-  Do not undertake repairs on your own -- danger of accidents !
-  Do not open any housings of the driving system -- danger of accidents !
-  A patient may only be conveyed in the nursing bed when lying in the lowest horizontal position.
-  Make sure that all power cables are laid without kinks, shearing or other mechanical damages.
-  All cables should be laid without making contact with the floor and with no kinks.
-  No additional mechanical or electric appliances may be used or fitted.
-  Servicing, inspection, repairs and disinfection should only be undertaken by authorized, trained persons.
-  Use only genuine replacement parts of the manufacturer for your nursing bed.
- Do not exceed the maximum load of 140 kg as stated by the manufacturer.

-  The use of open flames like candles or glowing objects like cigarettes is forbidden inside the nursing bed.
-  Replace the side railings if they are bent or broken, otherwise there is a risk of the patient falling out of the bed.
-  Use of your bed could influence other electrical devices (noises). Avoid using such devices at the same time.
-  Obey all safety and operational instructions.
-  Electrically operated bed is placed with a distance to the power supply plug.
-  The medical bed shall only be used with a hoist that can positioned under the limited space of the medical bed.

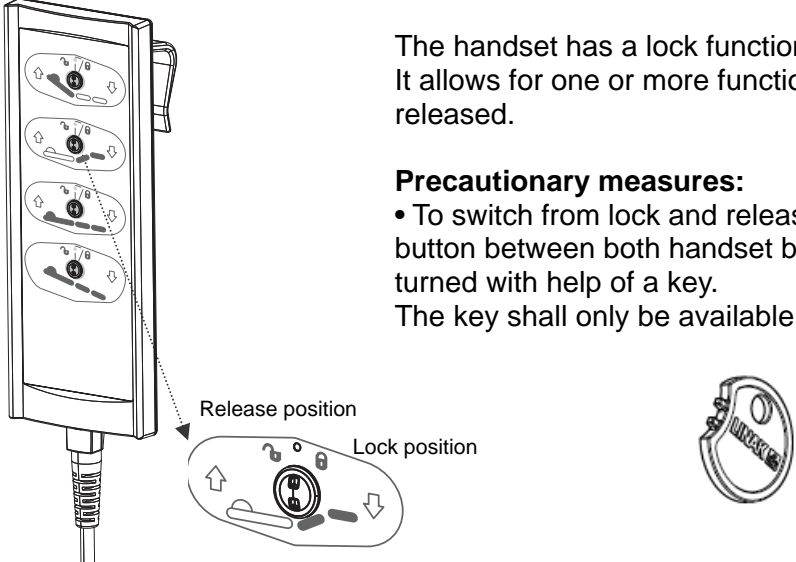
2 Use

This chapter describes the everyday use. **These instructions are for the user and the specialist dealer.**

The bed is delivered fully assembled by your specialist dealer. The instructions intended for the specialist dealer on how to set up the bed are given in § 3.

-  **WARNING: Avoid squeezing from routing cables of other equipment between parts of the medical bed.**
-  **WARNING: The medical bed shall only be used with a hoist that can positioned under the limited space of the bed.**

2.1 Handset with lock function

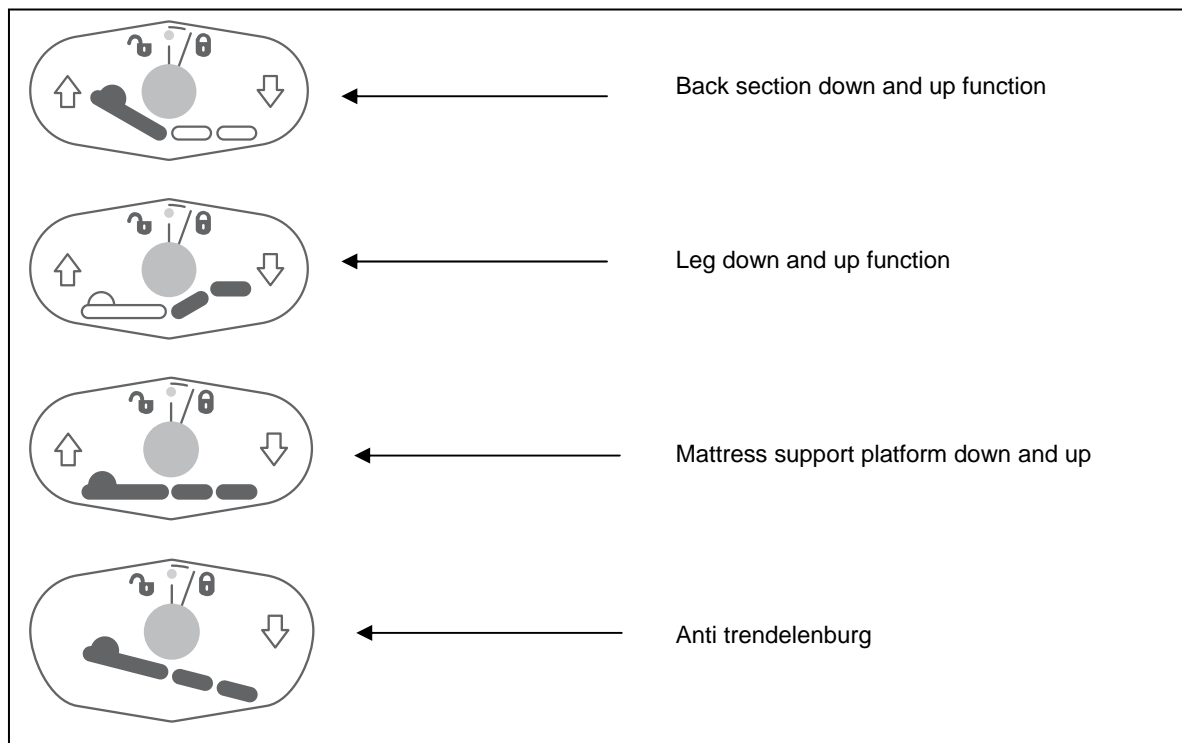


The handset has a lock function. It allows for one or more functions to be disabled or released.

Precautionary measures:

- To switch from lock and release positions, a small button between both handset buttons needs to be turned with help of a key. The key shall only be available to nursing personnel.

Following adjustments can be used:



2.2 Operating the steering casters

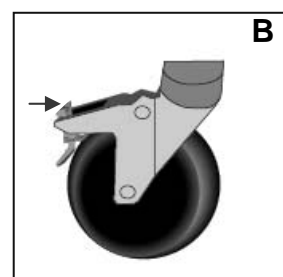
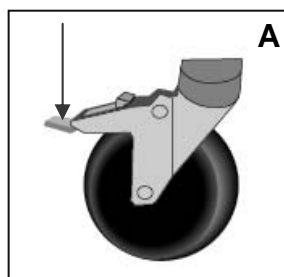
⚠ WARNING: Good operation of the steering casters is influenced by wear and contamination of the tires (water, oil, ...) – Check the condition of the tires before each use.

⚠ WARNING: The steering casters can wear – Check the operation of the steering casters before each use.

⚠ WARNING: Danger of accidents - All steering casters should always be braked. If only one caster is braked, the free running wheels rotate around the locked one.

All steering wheels can be locked to prevent involuntary rolling.

- **Securing (A)**
Push the surface of the tilting lever downwards by foot until it brakes the wheel.
- **Releasing (B)**
Push the surface of the tilting lever forwards by foot until the wheel is released.



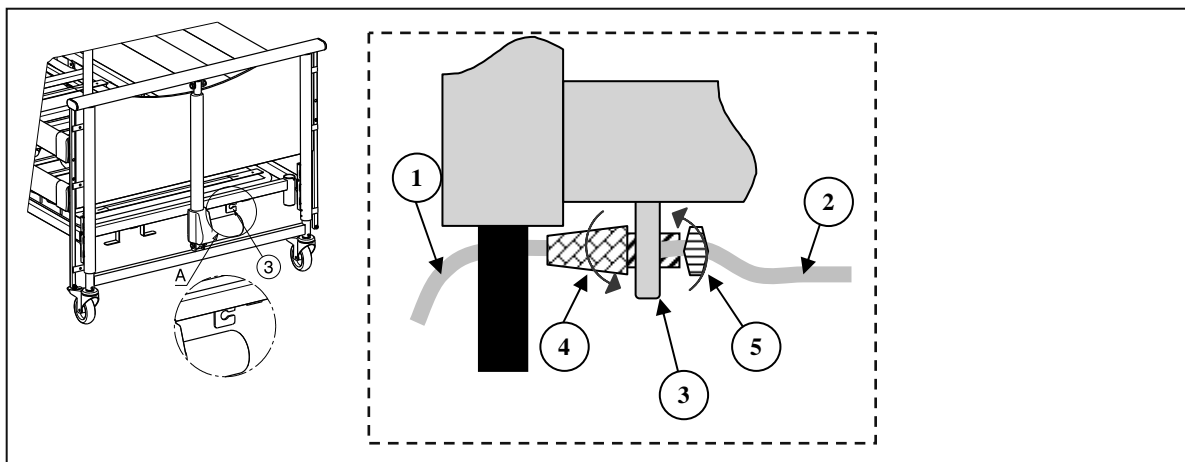
2.3 Strain relief

⚠ WARNING: Do not remove the relief unit.

⚠ WARNING: Nothing must be fitted to or hung on the relief unit.

Below the cross bar of the head slatted frame there is a socket for attaching the relief unit.

- Insert the relief unit of the power cable ④ into the suspension ③.
- Pull the desired length of the power cable ① in such a way that the power cable ② can be laid under the slatted frame without sagging. Be careful to avoid that the cable ② come under the traction in any adjustment position.
- Fasten the power cable by properly tightening the relief unit of the power cable ④.
- Fasten the position of the relief unit by properly tightening the fixing screws ⑤.

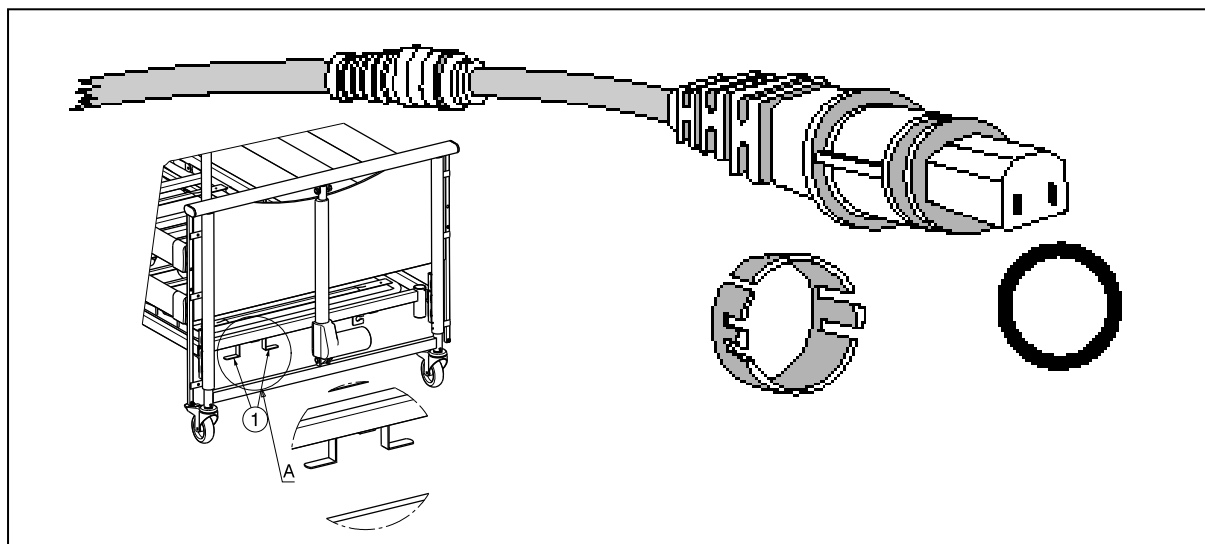


2.4 Power cable

⚠ WARNING: Nothing but the power cable should be suspended here.

⚠ WARNING: The power cable can be damaged - The power cable must be carefully positioned without kinks, pulling, shearing or other mechanical damages and without making contact with the floor.

To ensure that your power cable stays properly functional and in a technically secure condition even after protracted use, and in the case that you do not operate your bed electrically, we have at the spar of the slatted frame provided a device ① where you might safely leave the rolled-up cable beneath the nursing bed.

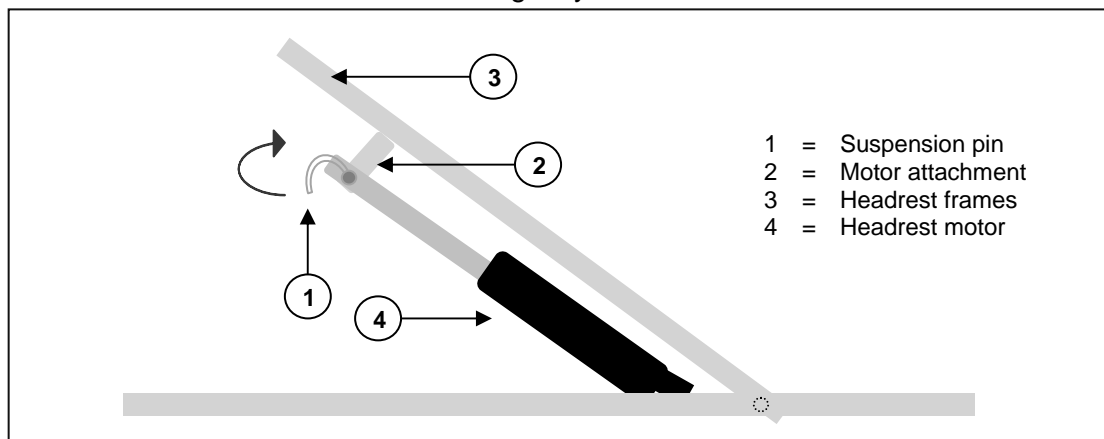


2.5 Emergency lowering of the headrest

- ⚠ **WARNING:** Risk of injury - Make sure that there are no objects or body parts between the headrest and the frame.
- ⚠ **WARNING:** Risk of injury - Emergency lowering is only permitted if at least **two** persons are available.

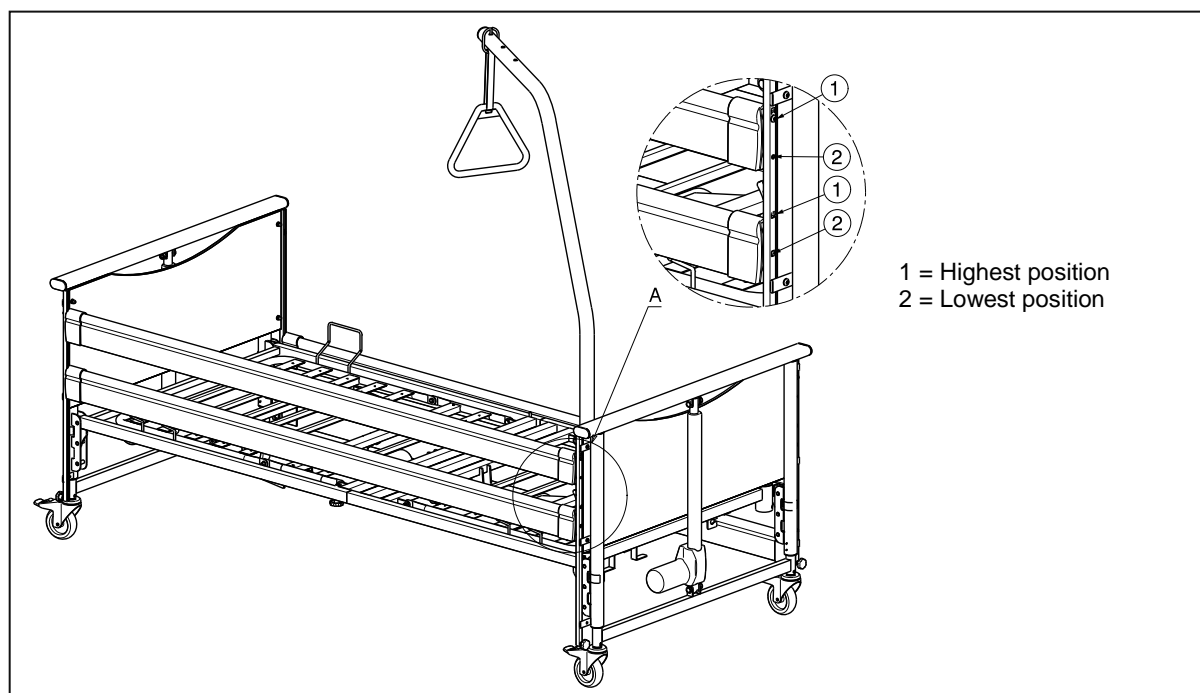
The headrest can be lowered manually (emergency lowering in the case of motor failure).

- Procedure:
1. Turn the securing loop of the upper motor over.
 2. One person holds the side of the headrest while another person pulls the suspension pin out and removes the motor from its holder.
 3. Lower the headrest gently.

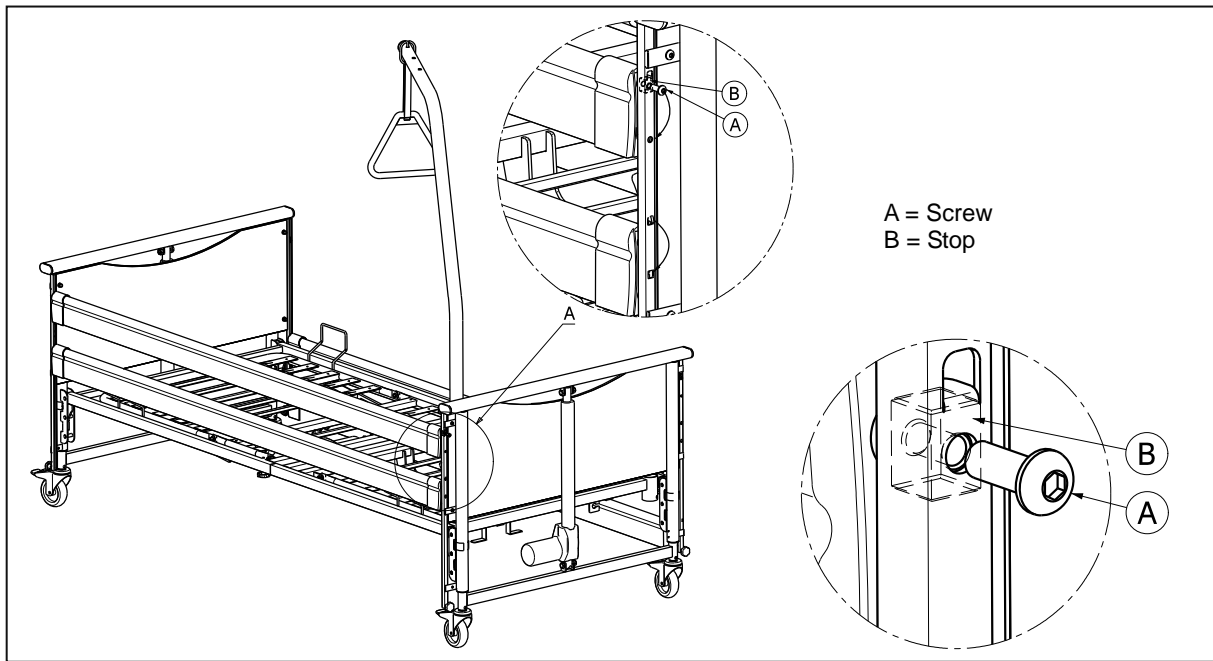


2.6 Side railings (For Luna 2, Luna Basic 2)

- ⚠ **WARNING:** Risk of injury, entrapment - Place the side rails in the lowest position when the slatted frame is mounted in the lowest height. To respect the patient entrapment area according European standards.



To place the side rails in the lowest position it is necessary to mount the screw (A) and stop (B) in the lowest hole (range 60 mm).

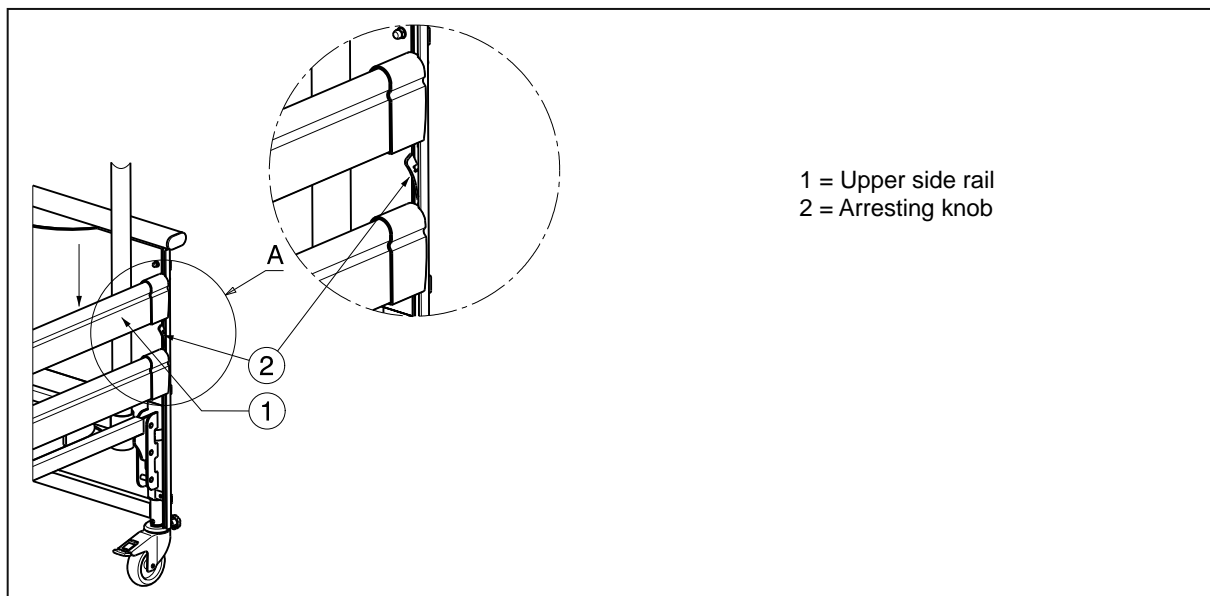


The side railings can be lowered on one side.

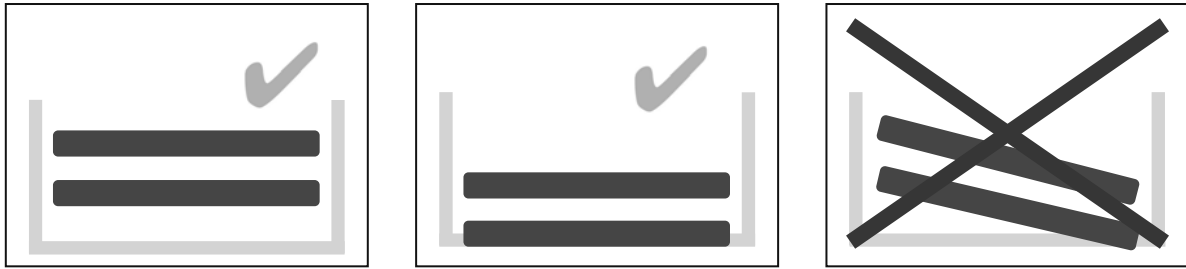
- **Lowering**

- ⚠ **WARNING: Risk of squashing - Secure the side railings against falling involuntarily.**
- ⚠ **WARNING: Risk of squashing - No objects or body parts may extend above the lying surface!**
- ⚠ **WARNING: Risk of injury - Do not lower the side railings on one side if the patient is not supervised.**

Raise the upper side slat gently, press and keep the arresting knob on the guide of the side rail pressed in and lower the side railing slowly. (Always take hold of the upper wooden slat only)!



If raising the side railings or covering these are required for additional security of the patient (e.g. very skinny patient), it should be noted that no functions of the bed should be impaired, nor the CE-conformable implementation as when first delivered.



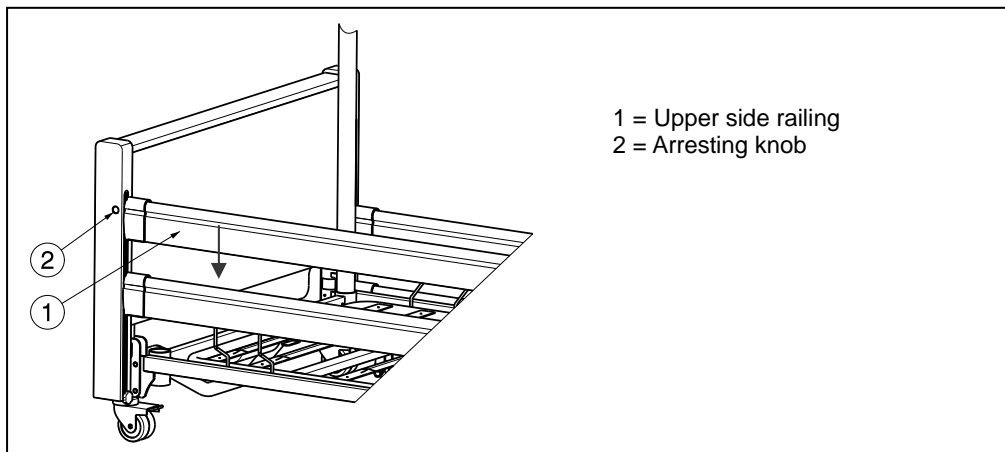
2.7 Side railings (For Luna UL 2)

The side railings can be lowered on one side.

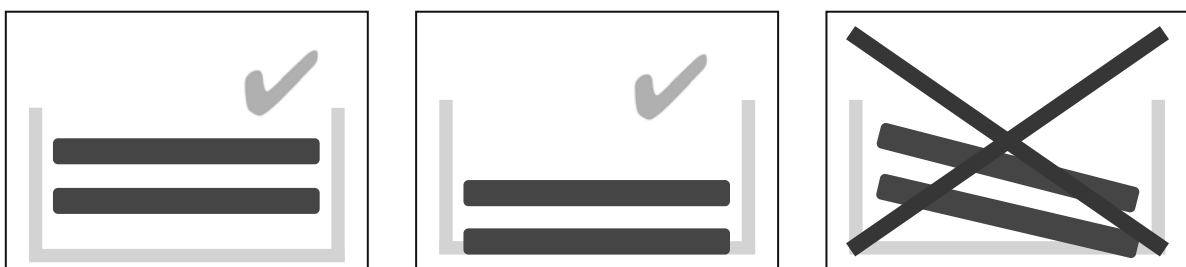
- **Lowering**

- ⚠ **WARNING: Risk of squashing - Secure the side railings against falling involuntarily.**
- ⚠ **WARNING: Risk of squashing - No objects or body parts may extend above the lying surface!**
- ⚠ **WARNING: Risk of injury - Do not lower the side railings on one side if the patient is not supervised.**

Raise the upper side slat gently, press the arresting knob on the side of the headrest or foot-end and lower the side railing slowly. (Always take hold of the upper wooden slat only !)

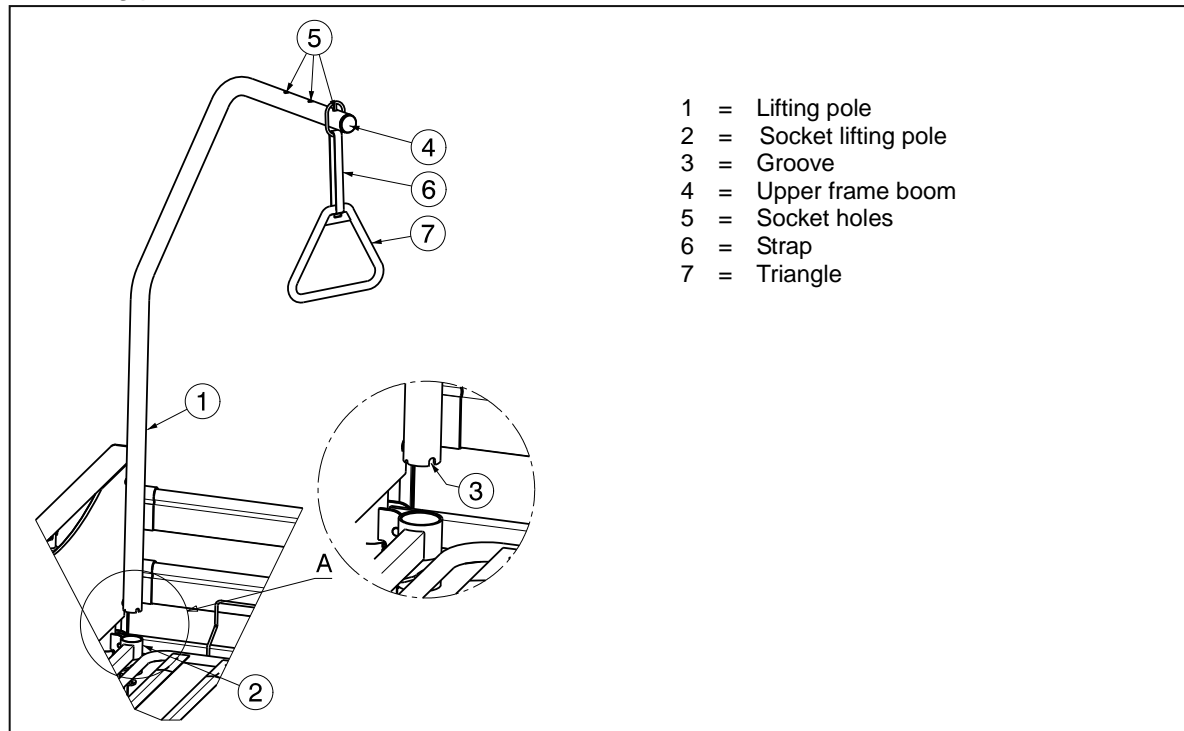


If raising the side railings or covering these are required for additional security of the patient (e.g. very skinny patient), it should be noted that no functions of the bed should be impaired, nor the CE-conformable implementation as when first delivered.



2.8 Lifting pole

The lifting pole can be mounted on either side of the headrest.



- Insert the lifting pole (1) as far as it will go into the relevant socket (2).
- Let the groove on the lifting pole (3) slide over the tube in the socket.
- Pull the metal loop over the end of the upper frame (4) until the bolts engage one of the three socket holes (5).
- Also pull strap (6) into the metal loop and through the triangle (7); then fix its length. Secure the strap.
- Check that you cannot turn the lifting pole anymore, than the lifting pole is firmly secured.

2.9 Rastomat (when available)

⚠ CAUTION: Risk of injury - No people or objects allowed close to where adjusting is being done.

To adjust the lying surface for the lower leg, grip the foot-end toggle strap in the middle of the frame. Pull the lying surface for the lower leg to the desired height. The Rastomat will click into the notch locks at intervals of approx. 20mm. To lower the surface for the lower leg, use the foot-end toggle strap and pull it to the upper position. The Rastomat will then remove the lock. You can now completely lower the leg surface slowly until it rests on the bed frame.

Only make adjustments when the grips are at the foot of the bed. Otherwise the bed can tip over and the adjustment mechanism damaged.

2.10 Transfer in and out the bed

⚠ CAUTION: In case you cannot perform the transfer in a safe manner, ask someone to assist you.

1. Position you as close as possible to the bed.
2. Check the brakes from the bed are in the on position.
3. Remove or fold down the side railings of the bed.
4. Transfer to/from the bed.

2.11 Transport

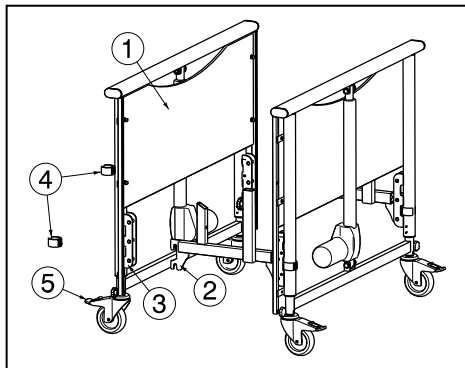
- ⚠ **WARNING: Risk of injury – See that the bed is attached properly. So you can avoid injury from the passengers during collision or sudden braking.**
- ⚠ **WARNING: Risk of injury – Use for attaching the bed and passenger NEVER the same seatbelt.**
- ⚠ **WARNING: Risk of injury – Patients may only be transported when recumbent in the lowest horizontal position.**

To avoid damage when transported, the lifting pole should be detached. Unplug the power cable and check that no cables hang near the floor.

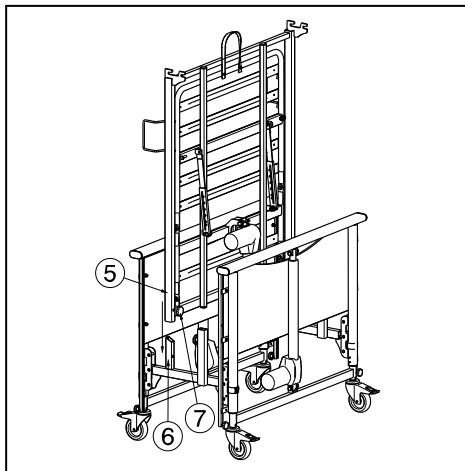
Should the bed be transported over greater distances, use the transport set to do so.

Installing the transport set:

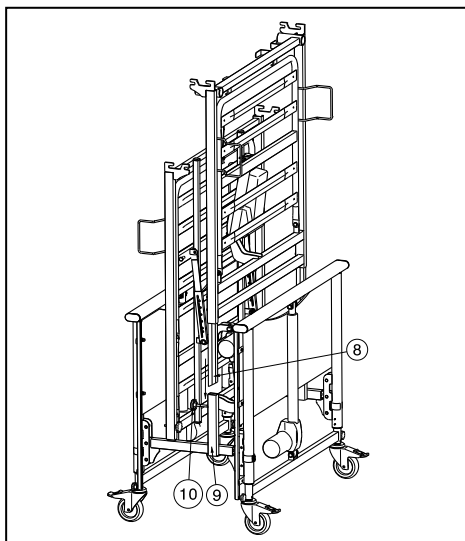
The bed can be mounted by following instructions to the transportset:



1. Grasp the panels ①.
2. Mount the attachment of the transportset ② in the attachment of the panels ③. And lock with the locking clamps ④. Mount the transportset in the lowest position of the panels.
3. Lock the brakes of the panels ⑤.

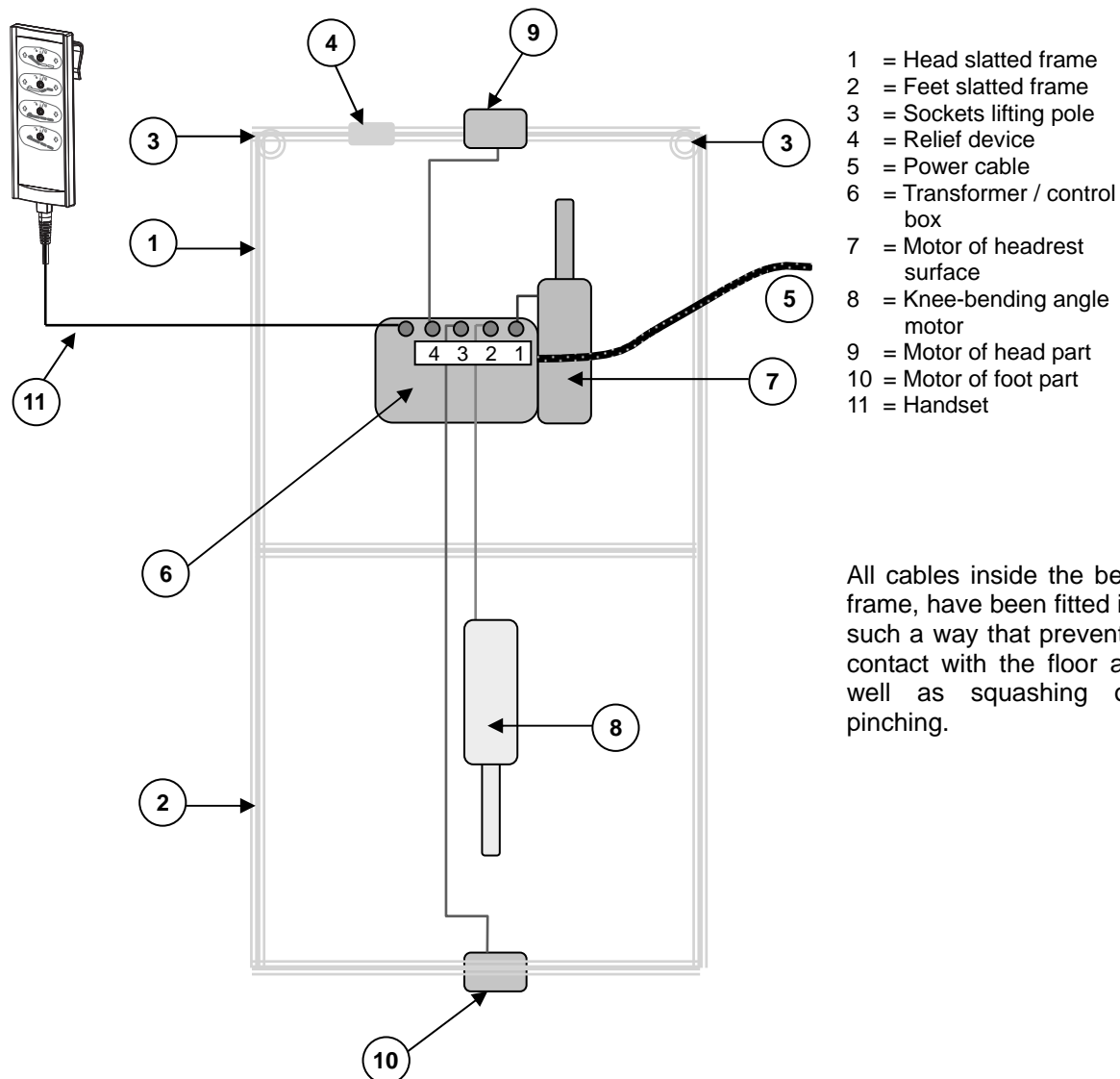


4. Grasp the feet-end ⑤ and hold this with the motor located to the bottom side.
5. Slide the tube of the feet-end ⑤ in the tube of the transportset ⑥. Secure the feet-end ⑤ with the starknobs ⑦.



6. Grasp the head-end ⑧ and hold this with the motor located to the upper side.
7. Slide the tube of the head-end ⑧ in the tube of the transportset ⑨. Secure the head-end with the starknobs ⑩.

2.12 Cable placement



All cables inside the bed frame, have been fitted in such a way that prevents contact with the floor as well as squashing or pinching.

2.13 Remarks on electromagnetic compatibility (EMC)

Disruption of electrical equipment from electromagnetic fields in the surroundings can not be entirely avoided. Possible consequences are:

Possible sources of radiation include:

- Portable receiver and transmission devices (receiver and transmitter with fixed antennae)
 - Walkie-talkies, cell phones or cordless telephones
 - other personal broadcast devices
- Mobile medium-range transmitting and receiving devices (external car antennas)
 - Hands-free mobile speaking devices (fixed installation)
- Other home appliances
 - Laptop
 - etc.

Devices such as electric shavers and hair dryers should have no influence. However they need to function properly and have proper wiring regardless of their influence. Please read the appropriate instruction manual from the relevant manufacturer.



To reduce the effect of electromagnetic sources of interference, please read the following warnings:

- ⚠ Do not use any portable television or radio devices in the immediate vicinity of the nursing bed.
- ⚠ Do not use any walkie talkies or mobile phones in the immediate vicinity of the nursing bed.
- ⚠ Should any unintended movements occur, remove the power plug for the nursing bed from the wall socket.

<u>Guidelines and manufacturer's declaration - Electromagnetic transmissions</u>		
The nursing bed is intended for operations in surroundings described below. The customer or bed user needs to make sure that it will be operated in surroundings of this type.		
<u>Electromagnetic radiation measurements</u>	Agreement	Electromagnetic surroundings - Guidelines
HF - Radiation pursuant to CISPR 11 (partial)	<u>Group 1</u>	The nursing bed uses HF energy exclusively for its internal function. Therefore its HF radiation is very low and it is unlikely that neighboring electronic devices will be disrupted.
HF - Radiation pursuant to CISPR 11 (partial)	Class B	The nursing bed is suitable for use in all facilities which are solely used as living areas and which have an immediate connection to the public power supply, which also supplies the building which is being used as living quarters.
Transmission of harmonics in accordance with IEC 61000-3-2	Class A	
Transmission of Voltage fluctuations/ flickers pursuant to IEC 61000-3-3	In accordance with	

<u>Guidelines and manufacturer's declaration - Electromagnetic resistance</u>			
The nursing bed is intended for operations in surroundings described below. The customer or the user of the nursing bed needs to make sure that it will be operated in surroundings of this type.			
Resistance tests	IEC 60601 Test level	Compliance level	Electromagnetic surroundings - Guidelines
Discharge of static electricity (ESD) pursuant to IEC 61000-4-2	± 6 kV contact discharge ± 8 kV Air discharge	± 6 kV contact discharge ± 8 kV Air discharge	Flooring needs to be made of wood or concrete or covered with ceramic tiles. If the floor is covered with synthetic material, then relative humidity needs to be at least 30%.
Quick stray electrical factors / bursts pursuant to IEC 61000-4-4	± 2 kV for power cables ± 1 kV for input and output cables	± 2 kV for power cables ± 1 kV for input and output cables	The quality of the power voltage needs to meet standards typical in a commercial or hospital environment.
Surges pursuant to IEC 61000-4-5	± 1 kV Series mode voltage ± 2 kV Common-mode voltage	± 1 kV Series mode voltage ± 2 kV Common-mode voltage	The quality of the power voltage needs to meet standards typical in a commercial or hospital environment.
Voltage drops, Short-term disruptions And Fluctuations in the supply voltage pursuant to IEC 61000-4-11	< 5 % V _T (>95 % drop in V _T) for ½ period 40 % V _T (60 % drop in V _T) for 5 periods 70 % V _T (30 % drop in V _T) for 25 periods < 5 % V _T (>95 % drop in V _T) for 5 seconds	< 5 % V _T (>95 % drop in V _T) for ½ period 40 % V _T (60 % drop in V _T) for 5 periods 70 % V _T (30 % drop in V _T) for 25 periods < 5 % V _T (>95 % drop in V _T) for 5 seconds	The quality of the power voltage needs to meet standards typical in a commercial or hospital environment. Should the user of the nursing bed require the continuous function even with the occurrence of disruptions to the power supply, it is recommended that the nursing bed receive undisturbed power from an emergency source or a battery.



Magnetic field for the Supply frequency (50/60 Hz) pursuant to IEC 61000-4-8	3 A/m	3 A/m	Magnetic fields with the grid frequency should comply to those normal in the commercial or hospital environments.
NOTE V_T is the grid alternating voltage before applying the test level.			

3 Installation and adjustment

The instructions in this chapter are for the specialist dealer.

The Vermeiren Luna 2 has been designed to be adjust with a minimum of replacements parts. There is no need for extra stock of spare parts.

To find a service facility or specialist dealer near you, contact the nearest Vermeiren facility. A list of Vermeiren facilities can be found on the last page.

⚠ WARNING: Risk of unsafe settings - Use only the settings described in this manual.

3.1 Tools

To set up the bed no tools are needed.

3.2 Manner of delivery

The Vermeiren Luna 2 shall be delivered with:

- 2 front parts incl. motors + wooden lagging Approx. 22,7 kg / piece
- Slatted frame, foot-end incl. motor Approx. 17,25 kg
- Slatted frame, head-end incl. transformer and motor Approx. 18,15 kg
- Side railings (2 x 2 wooden slats) Approx. 5,25 kg / piece
- Lifting pole + triangular grip Approx. 6,05 kg
- Handset Approx. 0,30 kg
- Instruction Manual

The Vermeiren Luna basic 2 shall be delivered with:

- 2 front parts incl. motors + wooden lagging Approx. 15,5 kg / piece
- Slatted frame, foot-end incl. motor Approx. 17,25 kg
- Slatted frame, head-end incl. transformer and motor Approx. 18,15 kg
- Side railings (2 x 2 wooden slats) Approx. 5,25 kg / piece
- Lifting pole + triangular grip Approx. 6,05 kg
- Handset Approx. 0,30 kg
- Instruction Manual

The Vermeiren Luna UL 2 shall be delivered with:

- 2 front parts incl. motors + wooden lagging Approx. 21,8 kg / piece
- Slatted frame, foot-end incl. motor Approx. 17,25 kg
- Slatted frame, head-end incl. transformer and motor Approx. 18,15 kg
- Side railings (2 x 2 wooden slats) Approx. 5,25 kg / piece
- Lifting pole + triangular grip Approx. 6,05 kg
- Handset Approx. 0,30 kg
- Instruction Manual

The nursing bed may only be used with the parts listed here. If parts are omitted or if foreign furnishings, components or electrical systems are included, then this bed is not regarded as a nursing bed supplied by the manufacturer, and you use it at your own risk. Then the CE conformity and the warranty of the manufacturer do not apply.

3.3 Assembly

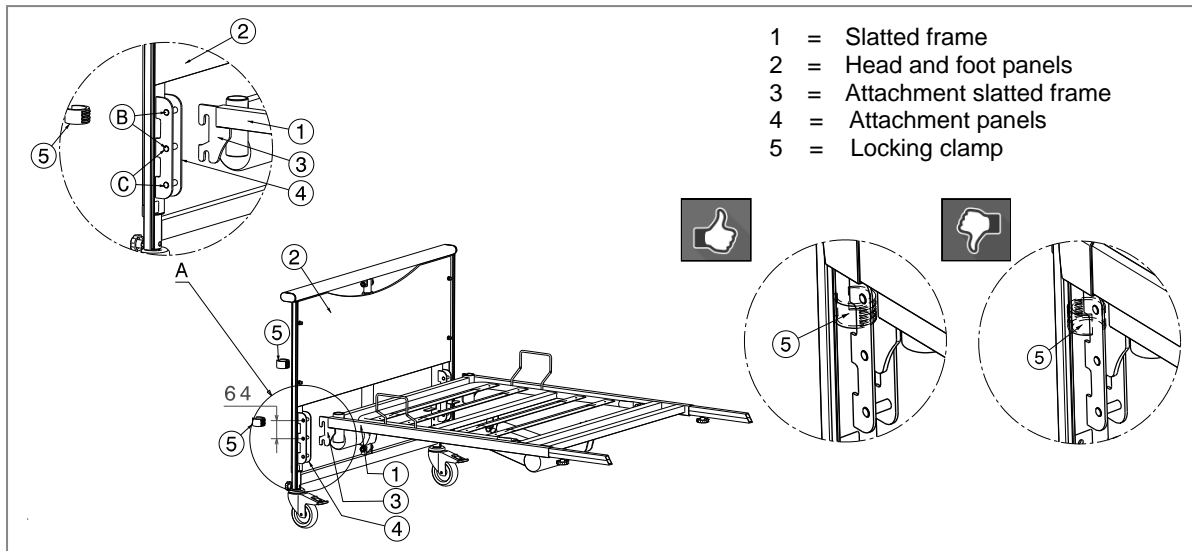
⚠ CAUTION: Chance of pinching - Do not place fingers between the components of the bed.

⚠ CAUTION: Risk of clamping - Keep fingers away from moving parts of the bed.

⚠ CAUTION: Risk of injury - Check that both hooks of the attachment slatted frame are mounted around the tubes of the attachment panels.

You should obey the assembly instructions of your nursing bed as explained below.

3.3.1 Head panel / feet panel



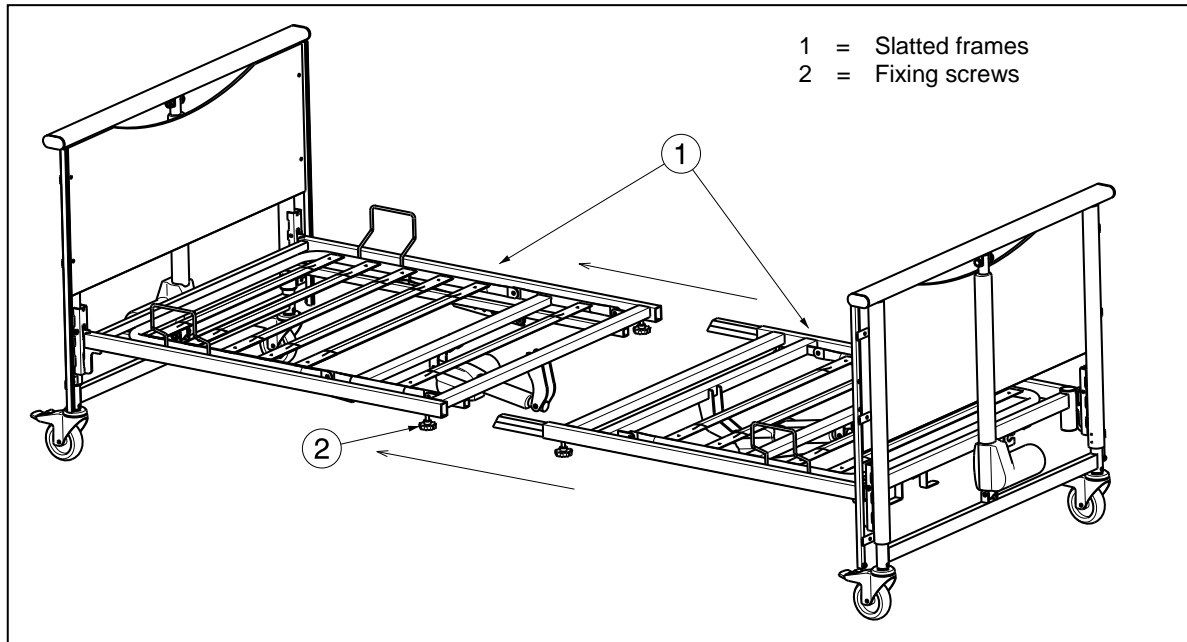
- Mount the attachment of the slatted frame ③ on the attachment of the head panel ④.
- Secure the slatted frame ① with the locking clamps ⑤.
- Repeat for the feetpanel. Check that the slatted frames are mounted very well.

N.B: The slatted frame headrest is fitted with sockets for the lifting pole as well as a power cable suspension.

The slatted frame can be mounted in 2 different positions (B, C): step 64 mm (not for Luna UL 2).

Protect the electric cable to the motor against damage by squashing.

3.3.2 Slatted Frame

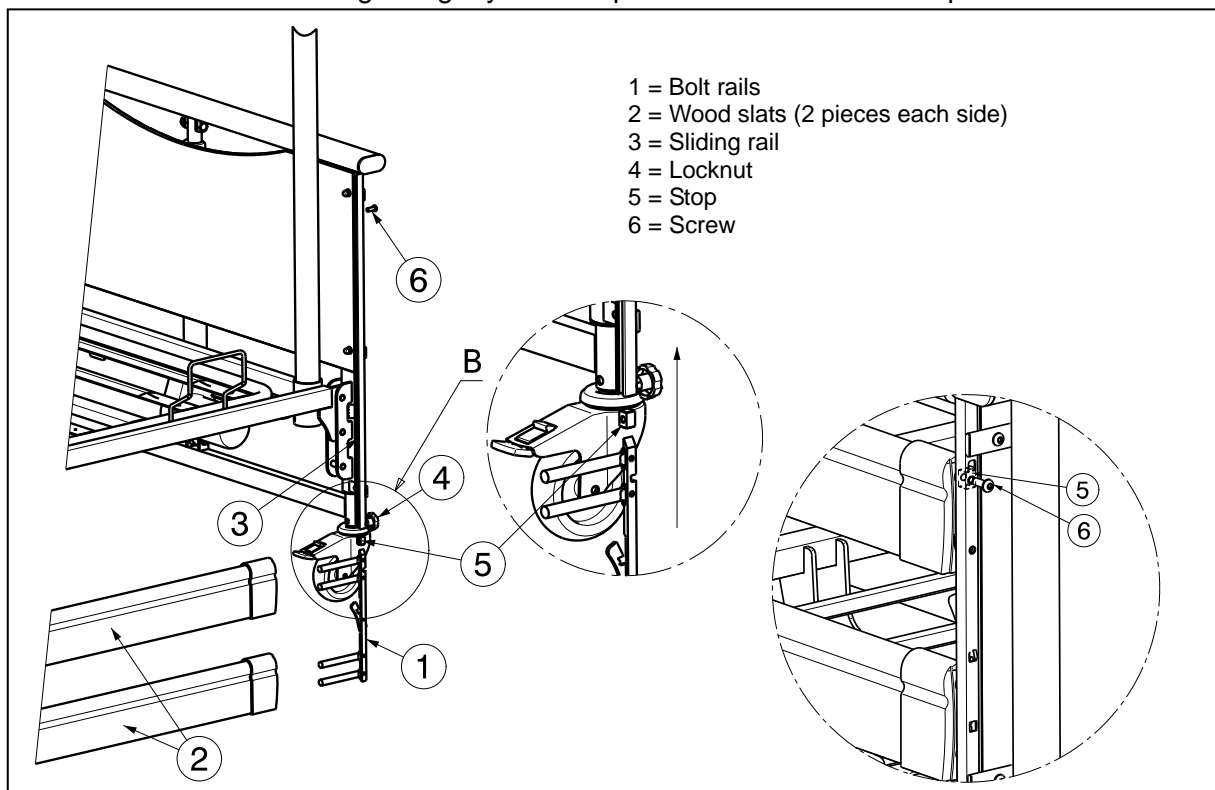


- Loosen the fixing screws ②, if necessary.
- Erect both slatted frames ① and insert them into each other flush.
- Then properly retighten the fixing screws ② of the slatted frame connection.

Protect the electric cable to the motor against damage by squashing.

3.3.3 Wooden side railings (For Luna 2, Luna Basic 2)

Adjust the height of the bed in the middle. With a too low height it is not possible to mount the side rails. With a too high height you must pull the side rails too far upwards.

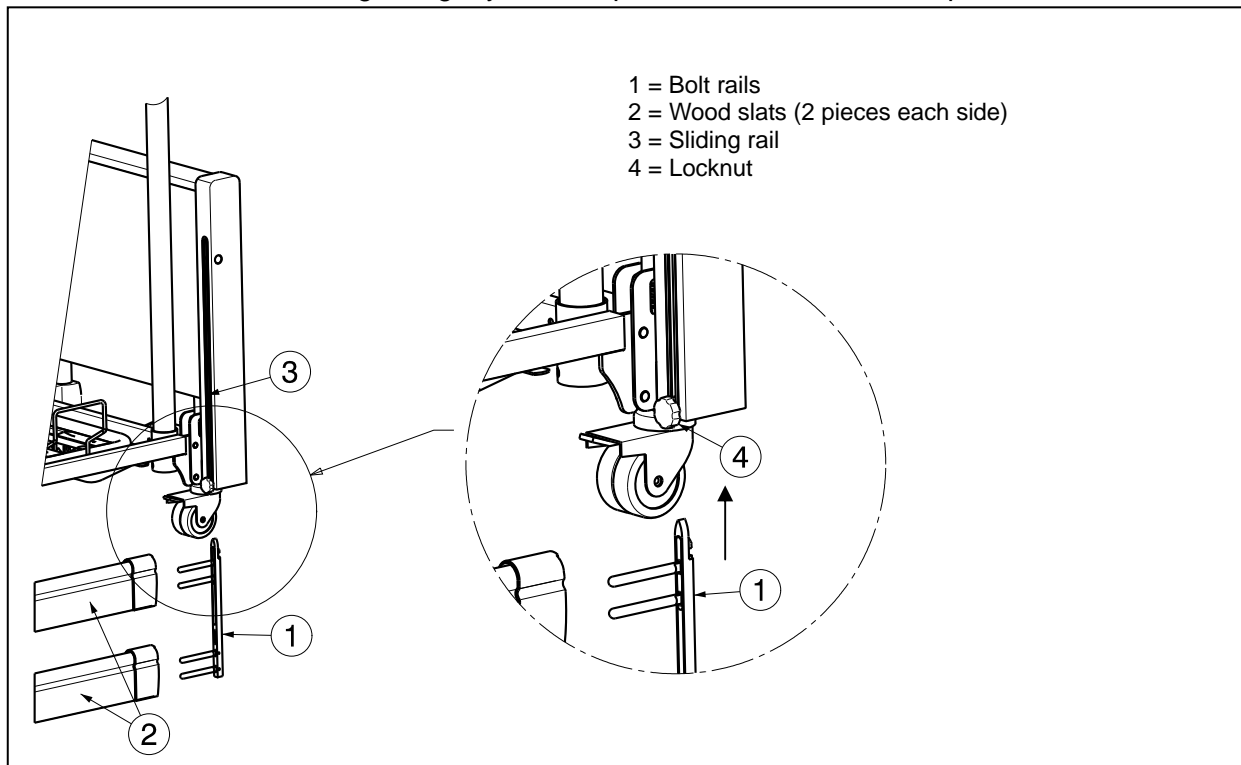


1. Insert the stop ⑤ and screw ⑥ (lowest hole → slatted frame lowest position; highest hole → slatted frame highest position).
2. Loosen the locknuts ④, if necessary.
3. Insert the bolt rails ① on the right and left in the upper wood slat ②. Insert the bolt rails ① right and left in the lower wood slat ②.
4. Slide the entire bolt rails ① + wooden slats ② in the relevant sliding rail ③ from the head and foot panel. Grasp the upper wooden slat upwards until the wooden side rail locks in position.
5. Insert the locknuts ④ and tighten them manually.
6. Repeat these steps for the other side.

To release the wooden side rails refer to paragraph 2.6.

3.3.4 Wooden side railings (For Luna UL 2)

Adjust the height of the bed in the middle. With a too low height it is not possible to mount the side rails. With a too high height you must pull the side rails too far upwards.



1. Loosen the locknuts ④, if necessary.
2. Insert the bolt rails ① on the right and left in the upper wood slat ②. Insert the bolt rails ① right and left in the lower wood slat ②.
3. Slide the entire bolt rails ① + wooden slats ② in the relevant sliding rail ③ from the head and foot panel. Grasp the upper wooden slat upwards until the wooden side rail locks in position.
4. Insert the locknuts ④ and tighten them manually.
5. Repeat these steps for the other side.

To release the wooden side rails refer to paragraph 2.7.

3.3.5 Transformer connections

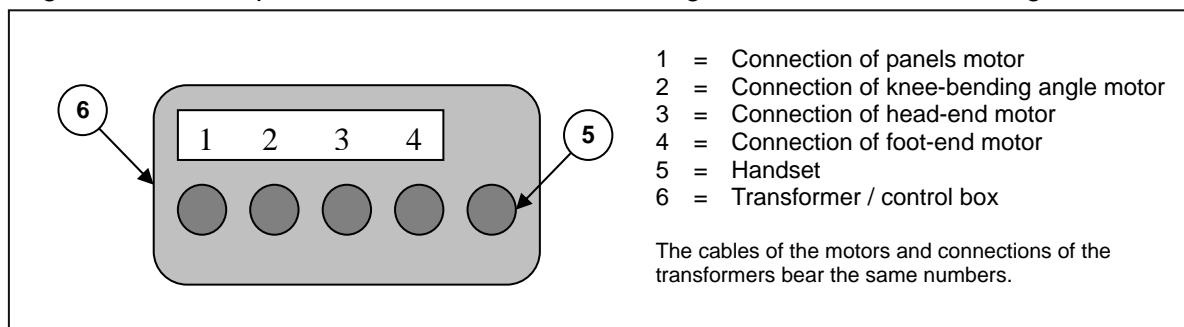
⚠ CAUTION: Risk of injury - Do not touch the plug with wet hands.

⚠ CAUTION: Risk of injury - Do not place any objects on the connection and the cable, and protect these against mechanical loads.

1. A 220 V / 230 V, 50 Hz power socket conforming to the VDE specifications is required
2. The diagram for the transformer connections is given in the figure below:

Take hold of the plug only to remove it from the power socket.

The power cable must be laid without any loops or kinks and should not pass around sharp edges. Protect the power cable and the cable leading to the handset from being crushed.



4 Maintenance

For the maintenance manual of the beds refer to the Vermeiren website:
www.vermeiren.com.